



LFP 16000 / LV

51.2V 314Ah

RECHARGERABLE LITHIUM BATTERY



High inverter compatibility



Natural cooling system



>15 Years life span



Reliable LFP cells



Scalable up to 64kWh 4 (Parallel)



Cells cycle times 6000 cycles



CANbus standard connection



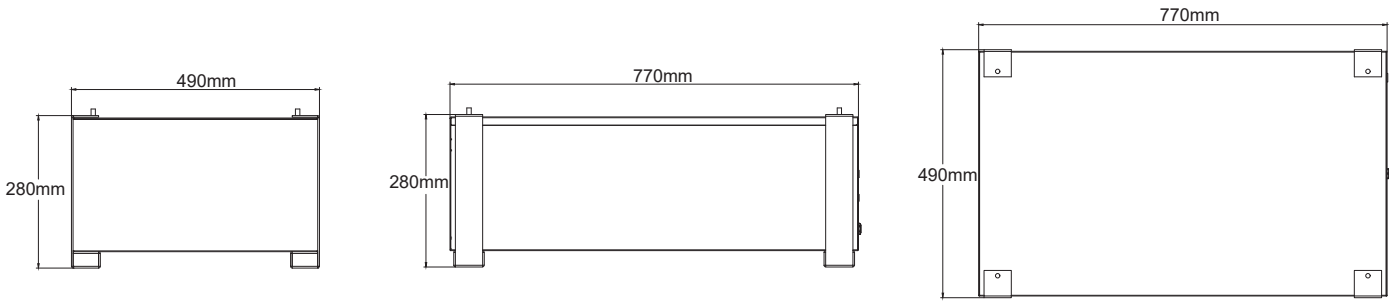
IP20 Rating Triple hardware protection



Smart BMS system to optimize the performance

UN 38.3

 **SUNKET[®]-ESS**

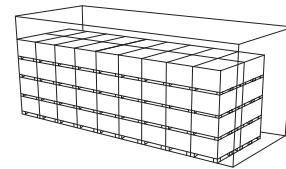


Electrical Characteristics

Module Type	LFP 16000 / LV
Nominal Capacity (at 25°C)	16kWh
Usable Capacity (90%DOD)	14.4kWh
Nominal Dis-/Charge Power	10kW
Peak Power _(Only Discharge)	11.6kW for 3 seconds
Constant Current _(Only Discharge)	157A
Operating Voltage Range	43~58V
Nominal Voltage	51.2Vd.c
Weight	120kg
Dimensions (Width×Height×Depth)	770*490*280mm
Certificates	UN38.3

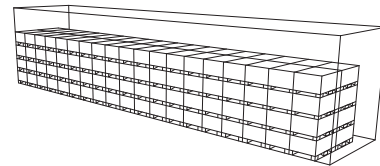
Operating Condition	Indoor
Operating Temperature Charge	From 0~45°C
Operating Temperature Discharge	From -10~50°C
Humidity	Up to 90% (non-condensing)
Pollution Degree	3
Over Voltage Category	II
Cooling Type	Natural cooling
IP Rating	IP 20
Protective Class	I
Max. Number of Parallel	4
Warranty	10 years
Life Span	>15 years
Communication Interface	CAN/RS485
Protection Mode	Triple hardware protection
Battery Protection	Over-current/Over-voltage/Short circuit/ Under-voltage

20'GP



72
PIECES
CONTAINER

40'HQ



152
PIECES
CONTAINER

Packing Configuration

Wooden Box Dimensions	911×616×461mm	
Container	20'GP	40'HQ
Pieces per Wooden Box	1	1
Wooden Box per Container	72	152
Pieces per Container	72	152

Compatible Inverters

